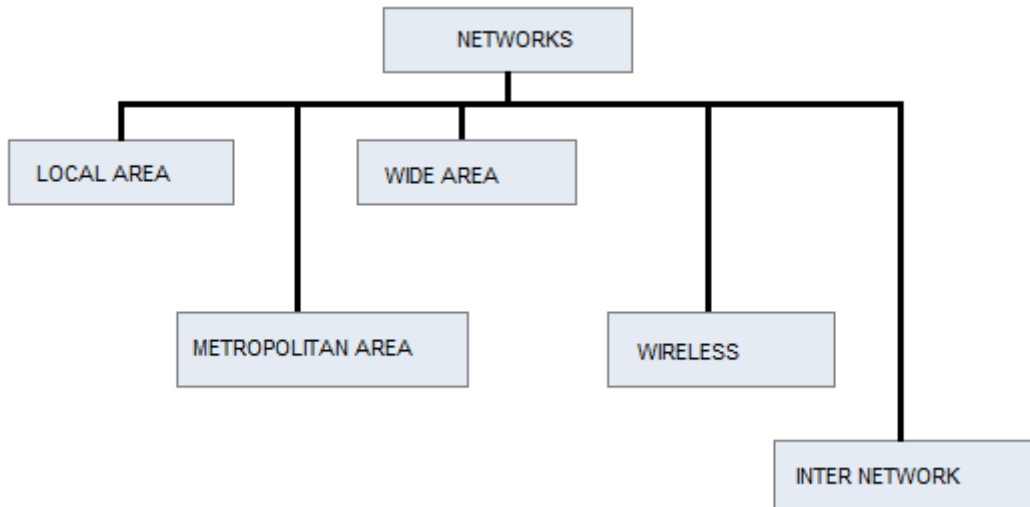


Types of Communication Networks

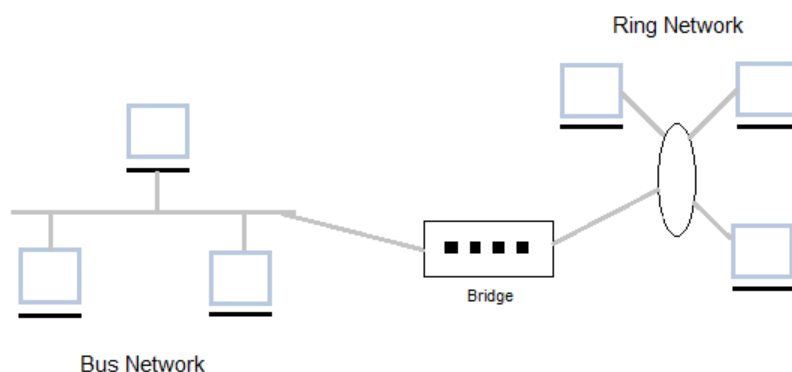


Local Area Network (LAN)

It is also called LAN and designed for small physical areas such as an office, group of buildings or a factory. LANs are used widely as it is easy to design and to troubleshoot. Personal computers and workstations are connected to each other through LANs. We can use different types of topologies through LAN, these are Star, Ring, Bus, Tree etc.

LAN can be a simple network like connecting two computers, to share files and network among each other while it can also be as complex as interconnecting an entire building.

LAN networks are also widely used to share resources like printers, shared hard-drive etc.



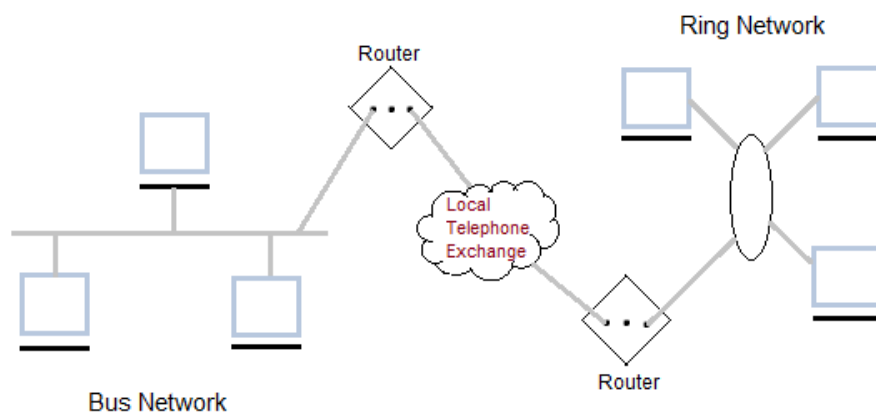
(Different Topologies interconnected in a Local Area Network)

Applications of LAN

- One of the computer in a network can become a server serving all the remaining computers called clients. Software can be stored on the server and it can be used by the remaining clients.
 - Connecting Locally all the workstations in a building to let them communicate with each other locally without any internet access.
 - Sharing common resources like printers etc are some common applications of LAN.
-

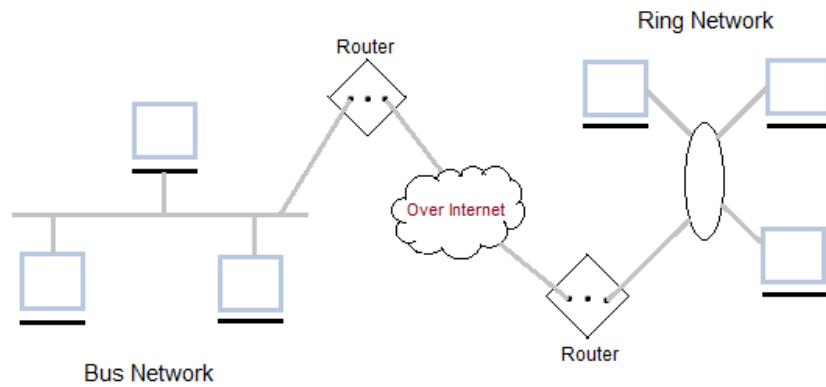
Metropolitan Area Network (MAN)

It is basically a bigger version of LAN. It is also called MAN and uses the similar technology as LAN. It is designed to extend over the entire city. It can be means to connecting a number of LANs into a larger network or it can be a single cable. It is mainly hold and operated by single private company or a public company.



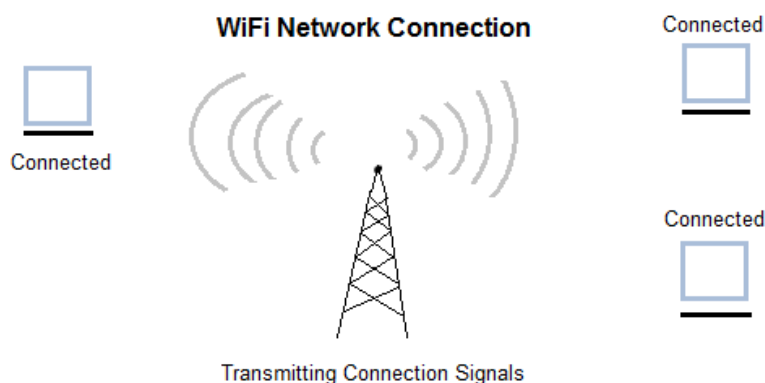
Wide Area Network (WAN)

It is also called WAN. WAN can be private or it can be public leased network. It is used for the network that covers large distance such as cover states of a country. It is not easy to design and maintain. Communication medium used by WAN are PSTN or Satellite links. WAN operates on low data rates.



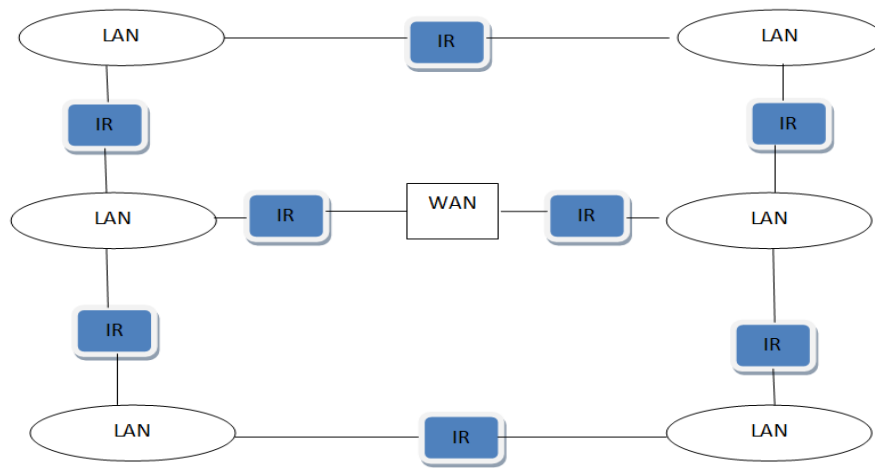
Wireless Network

It is the fastest growing segment of computer. They are becoming very important in our daily life because wire connections are not possible in cars or aeroplane. We can access Internet at any place avoiding wire related troubles.. These can be used also when the telephone systems gets destroyed due to some calamity/disaster. WANs are really important now-a-days.



Inter Network

When we connect two or more networks then they are called internetwork or internet. We can join two or more individual networks to form an internetwork through devices like routers gateways or bridges.



INTERNETWORK